



**GENERAL REGULATIONS  
AND  
RACING RULES**

# ICE SPEED SKATING NEW ZEALAND INCORPORATED GENERAL REGULATIONS & RACING RULES

## GENERAL REGULATIONS:

### **101. GENERAL:**

1. These Regulations and Rules govern all ice speed skating in New Zealand and are binding on all clubs affiliated to Ice Speed Skating New Zealand Incorporated, here-in-after referred to as the ISSNZ. The Board of the ISSNZ may, at its discretion, grant a dispensation by temporarily waiving or modifying certain of these regulations in respect of individual affiliated clubs where it is deemed to be in the general skating interest. The onus is on the club to apply in writing for the dispensation. When the Board of the ISSNZ temporarily waives or modifies regulations, all interested parties shall be advised not later than one calendar week prior to implementation.
2. These Regulations and Rules apply to all non resident skaters that are members of NSOs affiliated to the ISU, when training and/or competing in New Zealand. Non resident skaters must be a member of an Ice Speed Skating Club affiliated to the NSO but are not required to be a member of an ISSNZ affiliated Club

### **102. ELIGIBILITY:**

#### **1. Eligibility Status**

The eligibility rules of the ISSNZ are based on the principle that a person has the privilege to take part in the activities and competitions under the jurisdiction of the ISSNZ only if such person respects the principles and policies of the ISSNZ as expressed in the Constitution and Regulations and fulfils those obligations on which the ISSNZ functions and governs all its activities.

#### **2. Definition of an Eligible Person**

An eligible person is one who elects to take part, in any capacity, only in speed skating competitions sanctioned by the ISSNZ or the ISU and who has not violated in any way the Rules of the ISSNZ or the ISU.

#### **3. Payment**

A skater may receive payment for appearances, endorsements and exhibition performances and still remain eligible, provided that

- a such skater complies with any conditions established by the ISSNZ concerning such appearances, endorsements or exhibition performances, including all financial arrangements and
- b payment or any other benefits to be received by such skater are made through the ISSNZ and
- c such skater complies with all other provisions of ISU Rule 102.

### **103. REINSTATEMENT AS AN ELIGIBLE PERSON:**

1. Requests for reinstatement as an eligible person may be made:
  - a Only once by the same person
  - b Submitting all relevant information in writing
2. The ISSNZ Board in approving such a reinstatement request may make such reinstatement effective immediately or delayed for a waiting period as it sees fit depending on the circumstances.

**104. REGISTRATIONS:**

1. All members of Affiliated Clubs must register with the ISSNZ. The four types of membership are:
  - a Skaters
  - b Non Skaters/Supporter/Volunteers
  - c Officials -as per the Registered Officials List
  - d CoachesFor the purpose of clarification, the term “member” is defined as all persons who participate in club sessions or competitions.
2. All Skaters of Affiliated Clubs must register at the earlier of:
  - a 31 May in each year or
  - b when they renew their existing club membership or
  - c Within 60 days of first participating in ice speed skating
3. New Zealand Officials on the Registered Officials List must register at the earlier of:
  - a 31 May in each year or
  - b Two weeks before they officiate in an Event
4. Non Skaters must register at the earlier of:
  - a 31 May in each year
  - b before they assist at any competition
5. Coaches must register at the earlier of:
  - a 31 May in each year
  - b before the first competition in which their skaters participate
6. Late Registrations may be considered by the ISSNZ Board on application in writing by the member Club.
7. Registrations shall be sent to the ISSNZ on the appropriate form and accompanied by the registration fee, if any, as determined annually by the Board.
8. Registered skaters must nominate the Club they wish to represent in the current year. Transfers may be considered by the Board of the ISSNZ on receipt of an application in writing by the skater concerned and signed by the Secretary of the proposed new affiliated club.

**105. OFFICIALS**

1. Officials for ISSNZ Sanctioned competitions and Championships shall be confirmed by the Technical Committee, two weeks prior to the Event. In the first instance officials shall be selected from the National List compiled and held by the Technical Committee.
2. The Technical Committee shall, at regular intervals, conduct seminars and training for the education of officials. These seminars shall be directed towards the improvement of the sport
3. From time to time the Technical Committee shall devise and hold examinations for the grading of officials
4. The Technical Committee shall compile a National List of Officials that shall be reviewed on an annual basis. No official shall have his name deleted from the list without first being consulted. If an official being removed from the list disagrees with the Technical Committee's decision, they may take their concerns to the ISSNZ Board for a ruling.

5. It is desirable that the Chief Referee, Assistant Referees, Starter, Assistant Starter and Competitors Steward do not officiate at a Championship, Competition or Time Trial where he is a parent/guardian, caregiver, close relative or coach of any skater competing.

## **106. AWARDS**

### **1. Administrator of the Year**

Nominations for this Award must be in the hands of the ISSNZ Chief Executive Officer no later than 31 July each year. The ISSNZ Board will be the selectors for this Award.

The announcement of the recipient will be made at the National Championships or at a social function held afterwards.

Criteria for this Nomination includes:

- a Takes an active leadership and administrative role in the Sport
- b Performs their role in a way that enhances the functioning of the Sport to promote and progress the development of the Sport.
- c Is a positive role model

### **2. Sportsperson of the Year Award**

Nominations for this Award must be in the hands of the ISSNZ Chief Executive Officer no later than 31 July each year. The President, Director of Selections, and Technical Director will be the selectors for this Award.

The announcement of the recipient will be made at the National Championships or at a social function held afterwards.

Criteria for this Nomination includes:

- a Demonstrated a fair play attitude and complying with the Code of Conduct.
- b Being a role model for other skaters
- c Actively contributes to the growth and development of speed skating within their club and the community

### **3. Most Improved Skater**

The recipient for this Award will be selected by the Officiating Referees at the National Championships.

The announcement of the recipient will be made at the National Championships or at a social function held afterwards.

### **4. Most Promising Skater**

The recipient for this Award will be selected by the Officiating Referees at the National Championships.

The announcement of the recipient will be made at the National Championships or at a social function held afterwards.

## **107. CHALLENGE TROPHIES**

1. The winner or winners of any ISSNZ championship to which a Challenge Trophy is attached shall be entitled to hold the trophy until one month prior to the next championship when it shall be returned to the ISSNZ in good order and condition.
2. The cost of repairing trophies damaged while in the care of the title-holder will be a charge against the title-holder.
3. It is the responsibility of the recipients Club to locate and return any National trophy by the due date. The cost of replacing a lost or damaged trophy is the responsibility of the members Club if the recipient is not contactable.
4. The cost of engraving National Trophies will be a charge to the ISSNZ.
5. No Challenge Trophies may be won outright or taken from New Zealand.

6. Unless a trophy is returned by a recipient by the due date, the cost of engraving will be borne by the recipient.

**108. PRIZES:**

Prizes may be provided and awarded by the ISSNZ at the discretion of the Board.

**109. RECORDS**

1. New Zealand record can be broken only at ISSNZ sanctioned events.
2. Original time records sheets and photo finish results, signed by the Chief Referee and Competitors Steward must be sighted by the Technical Committee before records can be ratified. All records are pending and not considered official until verified by the Technical Committee
3. Records broken will be posted on the ISSNZ website once they have been ratified.
4. Record certificates shall be awarded by the ISSNZ.
5. If a record is broken more than once in the same distance in any Competition or Championship, only the best result obtained will be recognised.
6. An Open Record is set in New Zealand by any skater, New Zealand resident or visitor. A New Zealand record can only be set by a resident of New Zealand..
7. New Zealand Residents' Overseas Record can only be set outside of New Zealand – three groupings shall apply:
  - a International Junior – Men and Women (the current ISU age groupings apply)
  - b International Senior – Men and Women
  - c International Masters – Men and Women
8. *In Short Track events only*, a record can be claimed only when a skater has competed in an event of the same grade as that being claimed. – i.e. a junior skating in a senior event may only claim a senior overseas record.
9. Notification of any claim must be made to the Technical Committee and include the name of the competition, the place, the date and the grade in which the record is being claimed. If the result of the competition cannot be verified via a protocol posted on the internet, a copy of the protocol must be provided.

**110. ANTI-DOPING**

The Anti-Doping Rules follows DFSNZ, ISU and WADA requirements.

**Anti-Doping Rules:**

The following documents make up the Anti-Doping Rules:

- a the current DFSNZ Anti-Doping Rules and
- b the current ISU Anti-Doping Rules and
- c the New Zealand Olympic Committee and IOC Anti-Doping Rules

**Application of Rules:**

The Anti-Doping Rules shall apply to:

- a all skaters who are within the jurisdiction of ISSNZ and affiliated clubs
- b all coaches and support personnel within the jurisdiction of the ISSNZ and affiliated clubs
- c all other persons who have acknowledged in writing that they are bound to the ISSNZ rules or are bound through membership of the ISSNZ

**111. ACCIDENTS OR INJURIES:**

1. The ISSNZ do not accept any liability for damages or injuries sustained by skaters or officials
2. For each Sanctioned Competition and National Championship, a safety committee shall be appointed by the Board, with guidelines for the committee set out before the Championship starts.
3. Registered First aid personnel are required at all ISSNZ Sanctioned Events

**112. EQUIPMENT:**

1. All Skaters in every grade must be equipped with:
  - a Safety headgear that must have a regular shape and may not have protrusions.
  - b Gloves or mitts of leather or synthetic non woven material.
  - c Shin protection.
  - d Neck protection
  - e Padded or padded hard shell knee protection.
  - f Full bodysuit or similar which must be close fitting and with no areas of skin exposed other than the face.
  - g All speed skates must have the tubes closed and the blade ends must be rounded off, with a minimum radius of 10mm. Blades must be fixed to the boot at a minimum of two points with no moveable parts.
  - h As a safety precaution, all skaters with long hair must wear it tied up or braided
2. The heat box steward shall determine whether a skater has respected the safety conditions regarding equipment, so that they can start the race. Skaters whose equipment is not in compliance with this rule will be excluded from participation.
3. A skater who removes his equipment before leaving the ice at the conclusion of the race shall be penalized.

**113. RACING SUITS:**

A skater may not enter any competition or championship wearing a New Zealand representative suit to which they are not entitled. Replica suits also may not be worn.

**114. ADVERTISING AND PROMOTION:**

1. Within New Zealand, Trademarks may be worn by competitors that shall be dignified and worn as follows:
  - a The maximum surface area for a single trademark shall be 45cm on the upper body and 250cm on the lower body. No advertising markings other than manufacturers' trademarks are allowed on the technical equipment, such as skates/boots, glasses, gloves and helmets.
  - b Skaters intending to race in overseas championships or competitions organised under the auspices of the ISU, should refer to the ISU Rule 102. 6.

## COMPETITIONS AND CHAMPIONSHIPS

### 120. SANCTIONED EVENTS:

1. Any Competition or Championship at which a New Zealand Record can be certified must be an ISSNZ Sanctioned Event.
2. All Competitions and Championships organised by the ISSNZ will be a sanctioned Event.
3. To be a Sanctioned Competition the following conditions must apply:
  - a. Whilst electronic timing is preferred, consideration will be given to events which use manual timing under the following conditions:
    - 1) One of the two referees must be grade 2 or above
    - 2) Three of the timekeepers must be grade 2 or above
    - 3) .20 of a second must added to all times
    - 4) Where a record is set or broken, the relevant manual time records must be sent to the Technical Committee for ratification.
  - b. If Electronic timing is used, manual timekeeping must also be used throughout the competition to accommodate electronic failure
  - c. The following officials must be appointed from the National List:
    - (i) At least two referees
    - (ii) Starter
    - (iii) *For preference two* Competitors Steward
    - (iv) Lap Scorer
    - (v) *A Lap Recorder*
    - (vi) At least three manual time keepers on first place
  - d. All skaters, Officials, Coaches and Event Supporters must be registered members of ISSNZ. The exception to the above are paid contractual personnel i.e. First Aid, rink Management/Staff, electronic timing etc
  - e. Qualified first aid personnel are required at all ISSNZ Sanctioned Events.
  - f. Distances to be skated in the various grades must be from ISSNZ Regulations
  - g. The track to be used must be a standard 111m track on a rink no smaller than 56 x 26 metres.
  - h. Clubs organising a competition that they require to be a sanctioned event must provide the Technical Committee with full details in writing, verifying that all of the required conditions have been met at least two weeks before the Event..
  - i. The Technical Committee will notify the Club and the Board, whether the Event is Sanctioned not less than one week prior to the commencement of the Event.
  - j. If a club withdraws its Announcement of a Sanctioned Competition it must immediately inform all competitors and officials and give its reasons for the cancellation to the Board within eight days of the withdrawal.
  - k. The closing date of entries shall be set by the organising committee and all clubs shall be notified not less than 30 days prior to the closing date.
  - l. A proposed schedule of events, including the start time of each day of the competition and accompanied by the final list of entrants will be advised to clubs 10 days prior to the first day of the competition.
4. National Selection Time Trials
  - a. Sanctioned time trials for National selection purposes will be arranged by the ISSNZ at the request of the NZ Selectors.
  - b. Participation of skaters for the Time Trials will be at the discretion of the NZ Selectors
  - c. Each skater must skate alone over the distance being timed. However pursuit times will be allowed.
  - d. Each distance being timed must be skated separately.

- e Manual timekeeping must be used throughout all time trials to accommodate non use of / or electronic timing failure. There must be a minimum of 3 manual timekeepers per skater.
- f If manual timing is used then .20 of a second will be added to the time.
- g The following attending officials must be appointed from the National List:
  - (i) Referee
  - (ii) Starter
  - (iii) Lap Scorer
  - (iii) At least three manual time keepers  
and
  - (iv) Two selectors
- h The track to be used must be a standard 111m track on a rink no smaller than 56 x 26 metres

**121. NATIONAL CHAMPIONSHIPS:**

1. The suggested date and venue for the National Short Track Championships may be announced at the conclusion of the previous years Championships and shall be confirmed at the following Annual General Meeting.
2. The Announcement of the National Championships shall include all relevant information and shall be sent to clubs not later than 1 June each year
3. The ISSNZ shall have the power to enter into agreement with the Club or Organisation at whose rink the Championships are to be held; the agreement to include:
  - a a budget, cost allocation and responsibility
  - b volunteers (other than skating officials),
  - c competitors changing rooms
  - d a room for the officials
  - e a competition operational plan
  - f the prize giving function
  - g a procedure document to cover any contingencies i.e. cancellation

**122. ENTRIES, FEES AND CLOSING DATES OF ENTRIES FOR NATIONAL CHAMPIONSHIPS AND COMPETITIONS:**

1. Entry fees shall be set by the Board
2. The closing date of entries shall be set by the Technical Committee and all clubs shall be notified not less than 30 days prior to the closing date.
3. All completed entry forms including fees, shall be sent via the clubs to the ISSNZ.
4. Entries shall be posted to the ISSNZ address or sent via electronic mail and must be received by the advertised closing date.
5. Entries must be on the official form signed by the entrant or their parent/guardian.
6. Where an event has an age qualification, the entrants' birth certificate must be produced on request.
7. Incomplete forms will be returned to the appropriate club secretary for amendment. They will be accepted as being filed by due date if returned to the ISSNZ within seven days.



8. A proposed schedule of events, including the start time of each day of the competition and accompanied by the final list of entrants will be advised to clubs 10 days prior to the first day of the competition.

**123. WITHDRAWAL**

1. Withdrawal of an entry is permitted before the closing of entries. After the closing of entries any skater withdrawing will not be entitled to a reimbursement of entry fees, except if the withdrawal is on medical grounds. Such withdrawal subject to the provision of a medical certificate from a registered medical practitioner.
2. A withdrawal from a Heat/Semi Final other than due to incapacity or injury immediately prior to a race, shall be notified to the Competitors Stewart not less than 30 minutes prior to the start of the competition/event

**124. POSTPONEMENT OF DATE OF CHAMPIONSHIPS**

1. Postponement of the date of a Championship or Competition necessitates an extension of the date for the closing of entries for a corresponding period.
2. Where possible Clubs entering competitors must be notified at once of the postponement so as to allow the withdrawal of entries before the new due date for the closing of entries
3. If a Championship or Competition is cancelled the entry fees shall be returned to the Competitors

**125. PARTICIPATION IN CHAMPIONSHIPS AND COMPETITIONS:**

1. All ISSNZ events are open to skaters who belong to a club affiliated to the ISSNZ.
2. A non-resident skater who is a citizen or has permanent residency in another country, may compete as a visitor, provided he/she furnishes written permission from his/her own National Association or has sought and received dispensation from the ISSNZ prior to the event..
3. Invitations may be extended by the ISSNZ to members of non affiliated New Zealand clubs to participate in ISSNZ events, excluding championships.
4. Skaters intending to train or compete overseas must first obtain a written clearance from the ISSNZ

**126. OFFICIALS:**

The following officials are deemed necessary for all Championships:

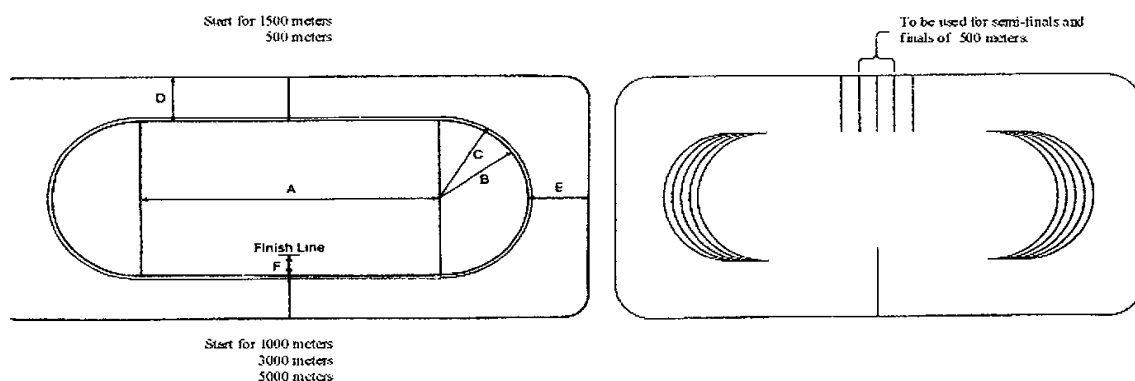
111m Track:

- a) Referee (at least two)
- b) Starter (at least one)
- c) Competitors Steward
- d) Lap scorer
- e) Time Keepers (at least eight)
- f) Heat Box Steward
- g) Finish Line Judge (at least two)
- h) Track Stewards (at least two)
- i) Chief Timekeeper / Recorder

**127. Reserved**

## 128. STANDARD TRACK 111m

### 1. Standard Track 111m



#### Track 60 x 30 meters rink

A = Length of straight	28.85 meters
B = Curve	8.00 meters
C = Measuring curve	8.50 meters
D = Straight width	7.00 meters minimum
E = Width from apex block	7.57 meters
F = Actual width of straight	+ 1.5 meters

#### 111.12 meters track

$2 \times A$	57.71 meters
$2 \times 8.50 \times \pi$	53.41 meters
One lap =	111.12 meters

Laps in different distances:	1000 m = 9 laps	3000 m = 27 laps
	500 m = 4 1/2 laps	1500 m = 13 1/2 laps
		5000 m = 45 laps

- The demarcation of the tracks and the turns should be indicated with coloured markings and/or moveable blocks of rubber or other suitable material.

## 129. MEASUREMENT OF THE TRACK:

- The course must be measured by a qualified surveyor or competent official appointed by the Technical Committee detailed for the purpose, who must also fix the correct position of all starting and finishing lines. A protocol signed by the surveyor or member shall be handed to the Referee before the start of the event.
- A measuring tape at least 30 metres and preferably 100 metres long shall be available during the competition.

## 130. CHAMPIONSHIP DISTANCES:

- If distances not listed below are held, they will be considered non championship events.
- In addition to titles for individual distances, an overall title shall be awarded.
- The order of the races will be the second longest distance shall be skated first followed by the shortest distance, then the second shortest distance followed by the longest distance.
- 111m Track  
Listed below are the championship distances which may be competed for in the various grades. Those distances which are underlined are the distances which will be competed for at the National Championships.

- Masters Men: 500m, \*777m, 1,000m, 1,500m, \*3,000m (\*Either of)
- Veteran Men: 500m, 777m, 1,000m, 1,500m, 3,000m
- Senior Men: 500m, 777m, 1,000m, 1,500m, 3,000m
- Junior Men: 500m, 777m, 1,000m, 1,500m, 1,500m SF
- Sub Junior Men: 222m, 500m, 777m, 1,000m
- Juvenile Boys: 111m, 222m, 333m, 500m
- Primary Boys: 111m, 222m, 333m

j)	Masters Women:	<u>500m,*777m, 1,000m, 1,500m, *3,000m</u> (*Either of)
k)	Veteran Women:	<u>500m, 777m 1,000m, 1,500m, 3,000m</u>
l)	Senior Women:	<u>500m, 777m 1,000m, 1,500m, 3,000m</u>
m)	Junior Women:	<u>500m, 777m 1,000m,1,500m, 1,500mSF</u>
n)	Sub Junior Women:	<u>222m, 500m 777m, 1,000m</u>
o)	Juvenile Girls:	<u>111m, 222m 333m, 500m</u>
p)	Primary Girls:	<u>111m, 222m 333m</u>
q)	<b>Relays:</b>	
	Masters:	<u>3,000m</u>
	Veteran:	<u>3,000m</u>
	Men:	<u>3,000m or 5,000m</u>
	Women:	<u>1,000m or 3,000m</u>
	Open:	<u>3,000m or 5,000m</u>
	Junior:	<u>1,000m or 3,000m</u>
	Sub Junior:	<u>1,000m</u>
	Juvenile:	<u>1,000m</u>

nb: All teams with the exception of the Mens' and Womens' events may be of mixed gender.  
A skater may compete in only two relays.

### 131. GRADES:

The following grades apply to both male and female skaters.  
Skaters must not have reached the age restriction before the original first day of the competition.

1. **Gold Masters**  
A Gold Masters skater has reached the age of 65 years.
2. **Silver Masters:**  
A Silver Masters skater has reached the age of 55 years.
3. **Masters**  
A Masters skater has reached the age of 45 years
4. **Veteran**  
A Veteran skater has reached the age of 35 years
5. **Senior:**  
A Senior skater is aged 19 years to 34 years
6. **Junior:**  
A Junior skater is aged 15 to 18 years
7. **Sub Junior:**  
A Sub Junior skater is aged 12 to 14 years
8. **Juvenile:**  
A Juvenile skater is aged 9 to 11 years
9. **Primary**  
A Primary skater is aged under the age of 9 years
- 10 **Other Grades:**  
For events other than National Championships, additional grades for novice skaters may be included *which will be only for skaters in their first season of competition.*

### 132. ENTRY RESTRICTION INDIVIDUAL EVENTS:

1. **National Championships:**
  - a) A skater must compete in the grade for which he/she is eligible
  - b) A skater may also compete in one additional higher grade. (This applies also to relays)
2. **All Other Championships:**  
A skater may compete in his own grade and/or a higher grade
3. **Relays:**  
For the purpose of the relay, "Open" is considered another grade but open relays may include a skater of any age above Juvenile.

**133. COMPETITORS:**

1. A Grade with a single entry may be combined with another grade provided that the same distances are raced and no heats are necessary. However, combining the grades is at the discretion of the Chief Referee and Competitors Steward. The racing regulations including sanctions still apply. Skaters competing in combined grades will still be eligible to take the title and record of the originally entered grade.
2. Semi final and final events of 500m and 1,000m shall have up to four skaters on the start line. For the 1,500m distance there shall be up to six skaters on the start line. Semi final and final events for sub junior and below may have six skaters on the start line for 777m and 1,000m distances only.  
The exception would be an advancement from an earlier round of the distance.
3. Championships may be conducted through a series of finals but if this method is used, it shall be decided by the Technical Committee and must be detailed in the announcement of the competition.
4. Names of relay team members must be in the hands of the Competitors Steward prior to the commencement of the days racing. Late changes will be at the discretion of the Referee.

**134. CONDUCT:**

1. Competitors must obey implicitly the instructions of the officials in charge of the competition and if a competitor does not do this, he or she may be subject to sanctions set out in the ISSNZ Constitution..
2. If at any championship or other event organised by the ISSNZ or any affiliated club, any competitor, coach or official behaves in an improper manner or encourages other person/s to behave in an improper manner, then the Referee may, by the showing of a yellow card, exclude such person/s from further participation in the event. i.e. The “Field of Play” during Short Track Speed Skating competitions are the ice surface, the immediate surroundings, heat box, coaches’ box, Officials restricted area and any other so designated areas as per ISU rule 295.1e
3. Officials acting on behalf of the ISSNZ at championships, competitions or other official functions, shall conduct themselves in a dignified and professional manner at all times.
4. Officials shall not criticize the results of a competition or other officials whilst within the hearing of the general public or the competitors.

**135. WARMING UP:**

Unless the Referee specifically stipulates to the contrary, no skater shall skate on the track after laying out and before or between events for warming up or practice.

**136. STARTING TIMES:**

A proposed schedule of events including the start time of each day of the competition accompanied by the list of entrants will be advised to clubs ten (10) days prior to the event.

**137. STARTING PROCEDURE:**

Refer to the current ISU Special and Technical Regulations. Rule 298. 4.

**138. STOP WATCHES – PHOTOFINISH**

**1. Stopwatches**

- a a minimum of three timekeepers on first, two on second, two on third and one on fourth and reserves as available are deemed necessary for all championships and competitions..

- b Each timekeeper may use only one stopwatch.
- c When for one competitor, two stopwatches register the same time and the third one differs, the time of the two watches showing the same time shall be taken.
- d When all three watches show a difference, the middle time shall be taken.
- e there are only two watches on a competitor and the watches show a difference, the mean time shall be taken.
- f When digital watches are used the time will be recorded in hundredths of a second.
- g The timekeepers must not clear their watches until such time as they have been instructed by the chief timekeeper.
- h The time of each timekeeper shall be recorded and all times submitted to the officiating Competitors Steward.

## **2. Photo finish Equipment**

Electronic equipment capable of producing an image of the finish and the times of the competitors shall be used. Times shall be produced in thousandths of second.

### **139. INDIVIDUAL RACING RULES:**

For racing rules please refer to the current ISU Special and Technical Regulations. Rule 297. 1 and 2.

### **140. RELAY RULES:**

1. Teams shall consist of three or four competitors.
2. Each of the team members must take part in the race
3. All members of the team must be recognisable as a team. Teams which do not comply with this shall be excluded from participation. Where skaters are visiting from overseas however, they may enter the relay as a "Country" team provided that they are all citizens of the same country.
4. A competitor in the race will be responsible for the team until that skater is relayed by a team member. Relaying will be by touch, that is to say a competitor will not be in the race until they have been touched by, or has touched the competitor he/she is relieving.
5. A competitor may be relayed at any time except during the last two (2) laps. These laps must be skated by one skater. A warning shot will be fired to indicate the start of the last three (3) laps.
6. In the case of a fall during the last two laps, the skater may be relayed.
7. The individual racing rules, paragraph one and two, shall apply to relay races, that is to say for all members of the team, both participating and relayed team members.
8. Relay Infringements:  
Refer to the current ISU Special and Technical Regulations. Rule 297.4.

### **141. POINTS:**

11. a) Final Points will be awarded in the Finals A and B only. The points 34, 21, 13, 8, 5, 3, 2 and 1 are awarded in descending order commencing with the first place in Final A and after all places in Final A have been awarded, the remaining points will be awarded to the Final B in descending order starting with the first place.
- b) In the case of a penalty or did not finish in the Final A, the Skater(s) concerned will be awarded a number of points equal to the winner of the Final B.  
In the case of a penalty in the Final B, the Skater(s) concerned will not be awarded any points.

- c) Skater(s) who are declared finished by the Referee will be assigned the corresponding number of points.
  - d) No points will be awarded to Skater(s) who did not start, failed to finish, received a yellow card or received a red card.
  - e) In the case of a tie, all Skaters involved in a tie will receive the points awarded for that finish position (e.g. tie on 2nd both Skaters will receive 21 pts). If two Skaters are involved in a tie, the points for the following finish place will not be awarded, in the case of three Skaters involved, the following 2 finish places will not be awarded.
2. For each of the distances a classification will be made in which the participants are ranked:
    - by group/block; Finalists, Semi-Finalists, Quarter-Finalists, etc
    - by position (finish place) within the respective group
    - by position (finish place) within the subsequent previous qualifying rounds
    - by best time in any race over the distance concerned.
 Further ties will not be broken in Final Classifications. For any intermediate classifications:- in the case of equal times over the distance, a draw will take place to establish the order; - in the case where there is no time(s) available, a draw will take place for the respective Skater/Teams to determine their rank in comparison to the other with the same position (finish place).
  3. Skaters or Relay Teams who, in the first round, receive a penalty, a yellow card, a red card, did not start or failed to finish will not be ranked but listed as participants. only for the purpose of calculating an overall classification these skaters or relay teams get a virtual ranking equivalent to the number of competitors in that distance, plus 1.
  4. For the Final Classification (and any intermediate overall classification) the skaters are ranked:
    - by total number of final points
    - by combined ranking over all Distance Classifications
    - by the highest ranking achieved in one of the distances and subsequent other best rankings
    - by best time over the longest distance on the programme
  5. For purposes of determining a winner of the Dan Mellamphy Trophy, Club points (i.e. 34,21,13,8,5,3,2,1) shall be awarded from first round races only. A competitor competing in more than one grade shall only gain points from the grade of their respective age group. Competitors in any non championship event do not gain club points. Points from championship relay races shall also be included.

#### **142. DRAWING AND SEEDING PROCEDURE**

1. The best season time over the second longest distance for each grade will be used to determine a ranking for the make up of the first round of the first distance. These times should be submitted with the entry and backed up by an event protocol.
2. The composition of the first qualifying round of the first distance, both individual and Relay, is made up by the Competitors Steward in consultation with the Referee.

3. The composition of the races in each qualifying round is based on a Seeding List of all Skaters. For the first round of the first distance the best season times will be used as a Seeding List. The unranked skaters will be given a ranking by means of a Draw conducted by the Competitors Steward. For all other qualifying rounds the current overall classification according to ISU Rule 295 paragraph 8, based on the results of all distances including the current distance, will be used as Seeding List.
4. The composition of the races in each qualifying round shall be made by the Competitors Steward by placing the Skaters in the races by means of the Skaters current ranking in the Seeding List, e.g. the number one (1) ranked Skater will be placed in the first race, the number two (2) ranked Skater will be placed in the second race etc., filling the races from the first race to the last race in the distance. The second row, i.e. the second Skater in each race, will be from the last race to the first race. The next rows will be filled alternating from the first race to the last race, and from the last race to the first race until all Skaters have been placed.
5. The competitors Steward will draw the starting order for all races immediately after the make-up of the first round is completed. The lane positions of the first qualifying round of a distance will be drawn by the Competitors Steward. For each subsequent round the lane positions will not be drawn but be decided by the times skated in the preceding qualifying round. The Skaters will be assigned the lane positions from the inside of the track to the outside in the order of their times commencing with the fastest time.

#### **143. SANCTIONS FOR INFRINGEMENTS OF THE RACING RULES:**

There are three types of sanctions:

1. Penalty (disqualification): In the case of an infringement of the racing rules, a skater / relay team will be disqualified from the race in which the infringement occurred and will be excluded from the next round of the distance concerned. The skater / relay team will forfeit the points/results accrued in that race alone.
2. Yellow Card: If an infringement of the racing rules is deemed by the Referee to be unsafe, harmful or hazardous, a yellow card will be shown to the infringing skater. The skater/ relay team will be disqualified from the race in which the infringement occurred and excluded from participating in the next round of the distance concerned. In addition, the skater / relay team will forfeit points accrued in all races over the distance concerned.  
Any skater shown a yellow card twice in the same competition will be sanctioned with a red card and will be excluded from the competition immediately and will not be ranked in the final classification.
3. Red Card:
  - a) If an infringement of the Racing Rules is deemed to be dangerous or grossly negligent or a violation of the ISSNZ Code of Conduct happens in the period between the appearance of a Skater in the Heat Box In and leaving the Heat Box after a race, the Referee will show the Skater a Red Card. The Skater will be disqualified from the Competition, including the Relay race, and will not be ranked in the final classification. If a member of a Relay team receives a Red Card during the Relay race, the Relay team is disqualified and will not be ranked in the final classification. The respective Skater is excluded from the Competition and will not be ranked in the final classification. The Skater/Relay team will forfeit prior points/results accrued in all races of the Competition.

- b) In the case a Skater is shown two Yellow Cards in the same Competition, the Skater will be shown a Red Card.
- c) A Red Card may also be shown to the Skater for any action and behaviour, either on or off ice during the event period, i.e. the beginning and the end of an event as established by the ruling body of the event, which is considered by the Referee as
  - i) non-compliance with instructions of an official in charge,
  - ii) a violation of the ISSNZ Code of Conduct.

Any Official or other participant in an ISSNZ activity witnessing a violation of the Code of Conduct during the event period needs to verbally report to the Referee. The Referee shall file a written report with the ISSNZ Technical Committee concerning any Skater who is shown a Red Card or a Yellow Card. The Technical Committee shall forward this information to the CEO who will inform the Board. The Technical Committee shall create a database of all Yellow and Red Cards issued during a skating season. Irrespective of the Red Card decision of the Referee, is subject to a sanction imposed by the Board.

If a Skater has accumulated two (2) Red Cards within 12 months, that Skater shall be automatically suspended from all NZ competitions, ISU Events, and International Competitions for at least three (3) applicable competitions as decided by the Board and the sanction will be reported to the ISU

The Referee will file a written report to the Technical Committee concerning any skater who is shown a red card.

If a skater has accumulated two (2) red cards within 12 months, that skater will be excluded from the next New Zealand Championship and will be reported to the ISU.

- 4. If in the opinion of the referee and his assistants, the skaters are “not racing” they shall stop the race, declare “no contest” and may give a penalty to the competitor(s).
- 5. If during a race, any irregularity that may affect the result does take place, the referee may stop the race and order an immediate restart of the race. If the distance has been completed, the referee may order a rerun of the race after respecting the rest time. If any of the skaters / relay teams have been sanctioned for conduct occurring before the race is stopped, then such skater(s) and the skater’s relay team (if the race is a relay race) will not take part in the rerun.
- 6. Any skater who deliberately caused the race to be stopped will not be allowed to take part in the restart. This does not apply to the starting procedure. The result of the skater(s) excluded for this reason from a restart will show as “no finish”.
- 7. Sanctions imposed by the Referee under this Rule must be announced and communicated at the end of each race before the announcement of the official results, to the Skater(s)/ Team Coach or Team Leader, Competitors Steward, and over the public address system for the benefit of the spectators, specifying where and how the Skater(s)/Relay Team concerned made an infringement and whether there is a consequent advancement.  
Once the decision has been announced it is final and cannot be changed.
- 8. a) Skaters or Relay Teams who
  - received a penalty, did not start or failed to finish, in the first round, or



- received a yellow card or red card in any round, will not be ranked but listed as participants.

Only for the purpose of calculating an overall classification these Skaters or Relay Teams get a virtual ranking equivalent to the number of Skaters or Relay Teams, on that distance, plus 1.

- b) In the event of a Yellow or Red card being awarded, it must be recorded in the protocol.
- c) A Yellow card given to a Relay Team is not cumulative to any Yellow card given to an individual skater and vice versa.

9. **Sanctions for Coaches, Team Leaders and Support Staff**

Coaches, Team Leaders and Support Staff are subject to the conditions of the General Regulations. Failure to observe these Rules and/or misconduct as per paragraph 3 c) (i) and (ii) above can result in the following sanctions:

Yellow Card: suspension from the Field of Play for the day.

Red Card: suspension from the Event/Competition with removal of the accreditation.

**144. PROTESTS:**

1. Protests can only be considered against the following:
  - a Composition of the heats
  - b Eligibility of the competitors
  - c Eligibility of the officials.
2. Protests may be lodged only by a competitor through their Team Leader.
3. The Referee decides on all protests. There is no appeal from his decision except according to Rule 143.
4. If a mistaken result is announced for any championship or competition the true result must be publicly communicated as soon as possible and the records amended accordingly.
5. Protests against a decision concerning infringement of the racing rules will not be accepted.

**145. APPEALS:**

1. An appeal can be made to the Board of the ISSNZ only against decisions which concern the eligibility of a competitor, the composition of the committee organising the event or the eligibility of the officials and only in cases where these regulations or the Constitution have been contravened.
2. Appeals can be lodged only by those entitled to lodge protests (see Rule 142 2.)